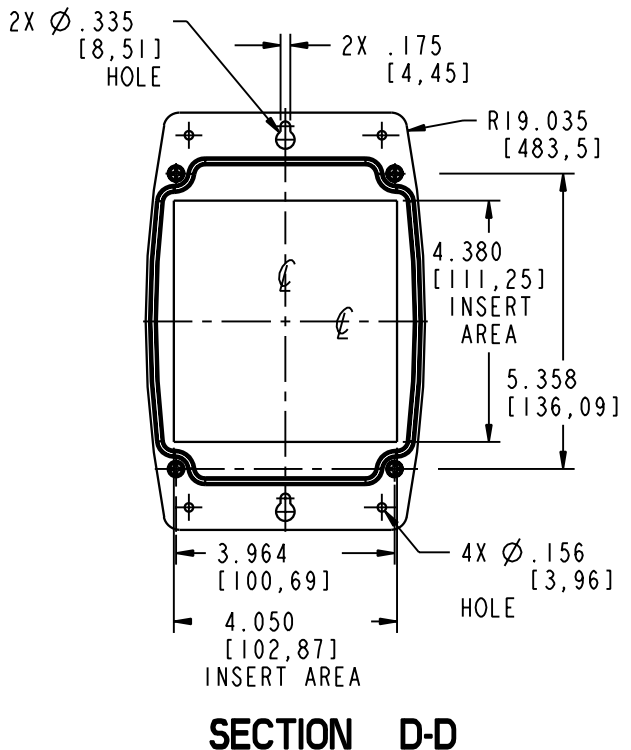


NOTES:
1. USE #4 TYPE "B" THREAD FORMING SCREWS X .25 [6.3] OR .31 [7.9] LONG TO MOUNT CIRCUIT CARD ASSEMBLY.



PACNTEC[®]
1-610-361-4231

OD56-2.0

VISIT **PACNTEC**[®]
ON THE WORLD WIDE WEB
www.pactecenclosures.com

MATERIAL:
POLYCARBONATE (HB)
WITH UV STABILIZER

COLOR:
LIGHT GRAY #332

INSERTS ARE SECTIONS IN OUR TOOLS THAT CAN BE REMOVED AND REPLACED WITH CUSTOMER SPECIFIC DETAILS

DRAWING NUMBER	REV
84509	D