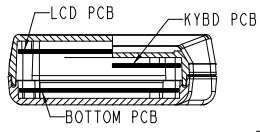
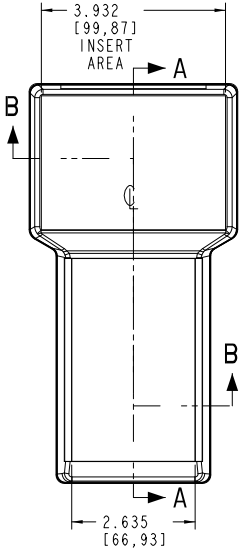
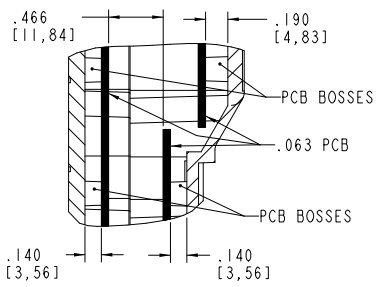
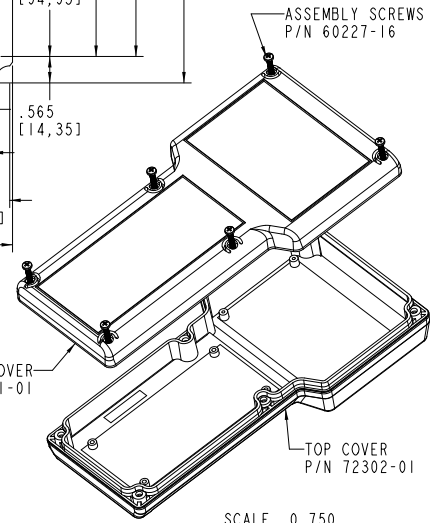
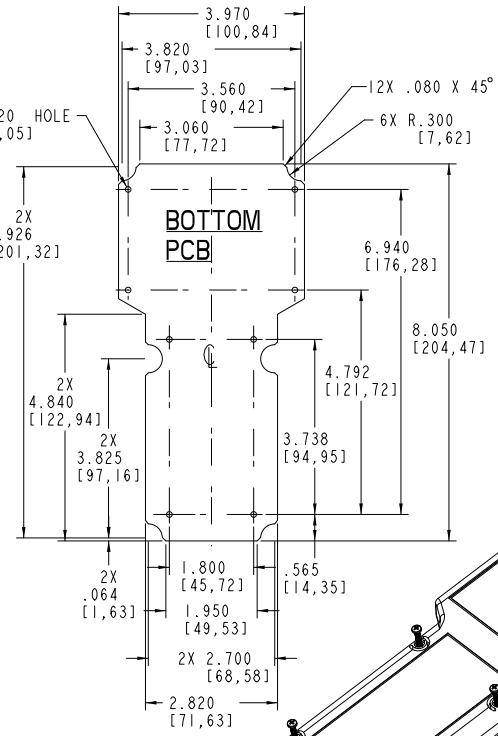
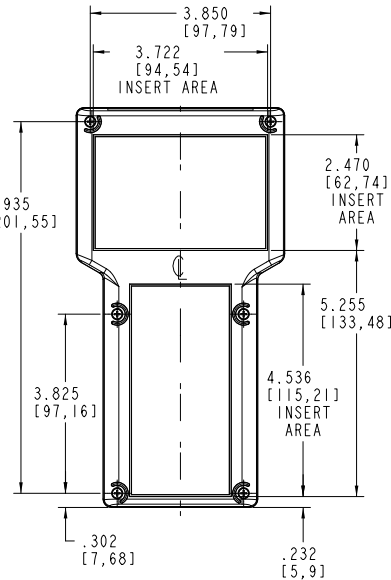
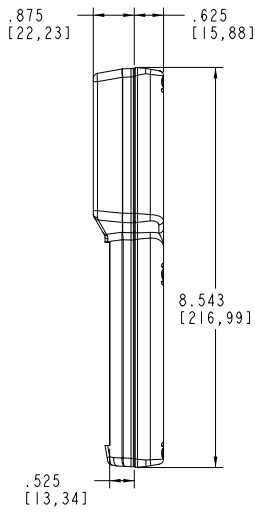


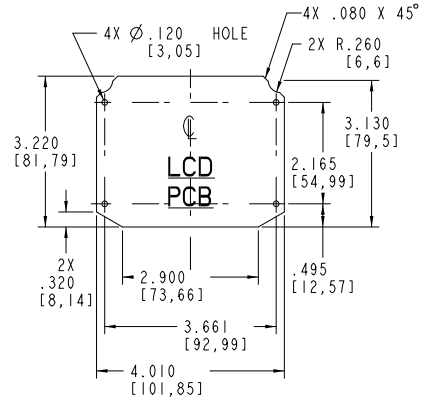
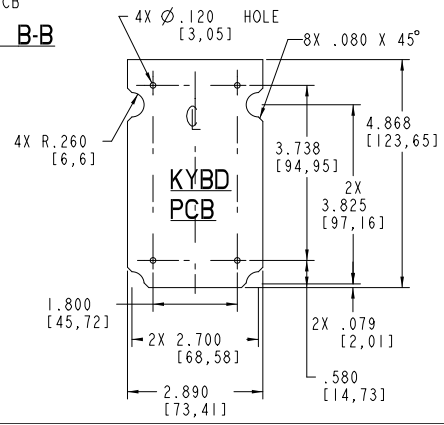
SECTION A-A



SECTION B-B



DETAIL C
SCALE 2.000



PACNTEC®
1-610-361-4200

TT

VISIT **PACNTEC®**
ON THE WORLD WIDE WEB
www.pactecenclosures.com

SCALE 0.750

COLOR / MATERIAL CODE	
COLOR	94HB 94VO
BLACK	000 028
P.C.BONE	039 060

DRAWING NUMBER	REV
72825	D