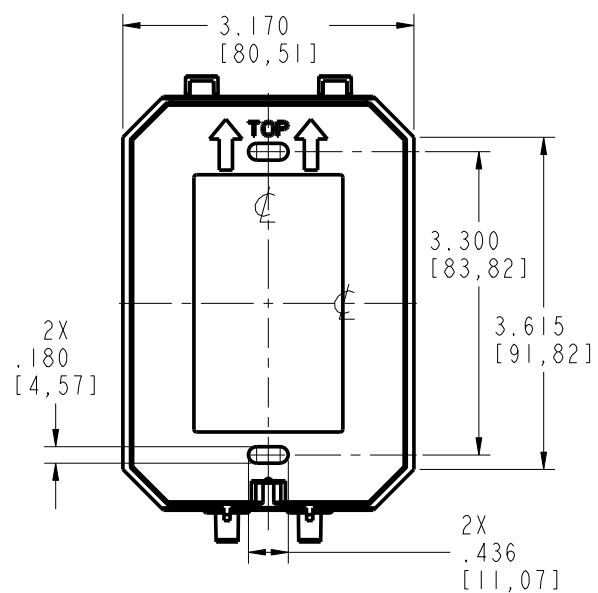
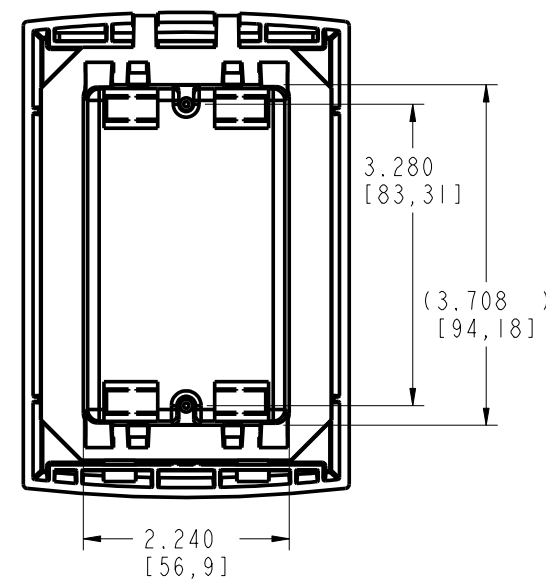


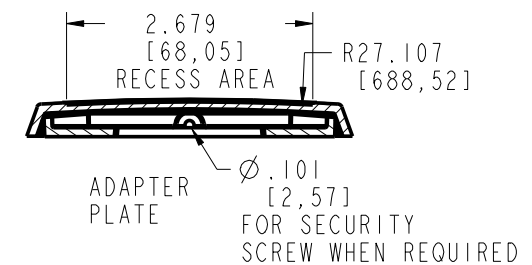
WALLPLATE REAR VIEW



ADAPTER PLATE FRONT VIEW



WALLPLATE ASSEMBLY MOUNTED TO STANDARD WALLBOX REAR VIEW



SECTION B-B

PACNTEC[®]
1-610-361-4231

WPIR
(1 GANG WALLPLATE/W RECESS)

VISIT **PACNTEC**[®]
ON THE WORLD WIDE WEB
www.pactecenclosures.com

MATERIAL:
94 VO PCABS

COLOR:
WALLPLATE WHITE #826
ADAPTER WHITE #826

INSERT AREAS ARE SECTIONS IN OUR TOOLS THAT CAN BE REMOVED AND REPLACED WITH CUSTOMER SPECIFIC DETAILS

DRAWING NUMBER	REV
88386	01