

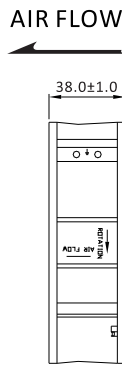
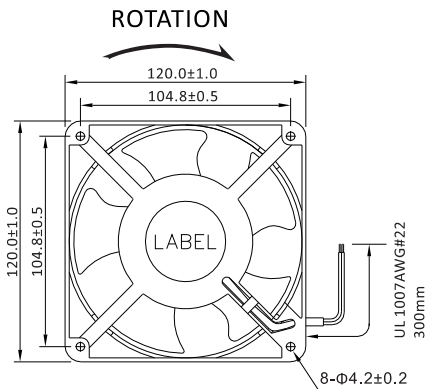
120x120x38mm AC 100-120V & 200-240V



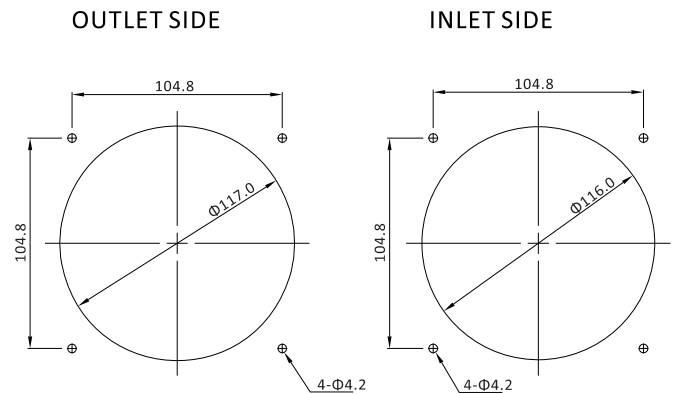
General Specifications

- ◆ Material..... Frame: Aluminum Alloy, Impeller: Plastic(UL94V-0)
Lead Wire: UL1007 22# black Terminal: 2.5mm
- ◆ Motor..... Capacitor-Run Induction & External Rotor Motor
- ◆ Input Voltage..... 110V/220V (optional)
- ◆ Dielectric Strength..... 50/60Hz, 1500VAC 1Min (between input terminal and frame)
- ◆ Expected Life..... Ball Bearing 50000hrs (40°C)
- ◆ Temperature Range..... Operating temperature -10°C~+70°C (Non-condensing)
Storage temperature -40°C~+70°C (Non-condensing)

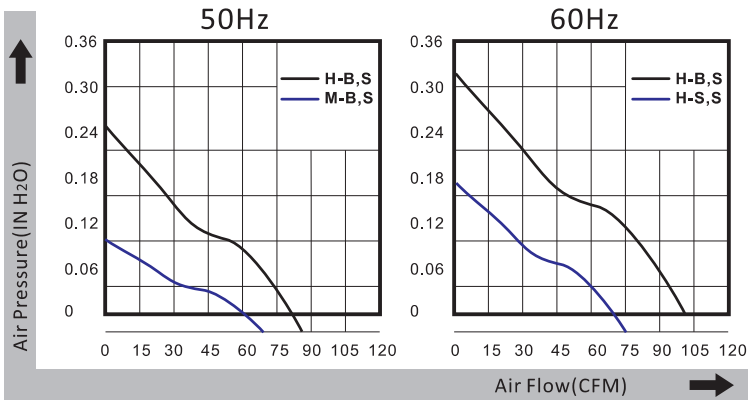
Dimensions (Unit: mm)



Mounting Panel Cutout (Unit: mm)



PQ Curve (At Rated Voltage)



Safety Standards



Specifications

Model	Bearing Type	Rated Voltage	Frequenz	Rated Current	Input Power	Speed	Max Air Flow		Max Static Pressure		Noise	Weight
Part No.	DB/S	VAC	Hz	Amp	Watt	RPM	CFM	m ³ /min	Inch-H2O	PA	dB-A	g
AA12038S11ML(T)	Sleeve	100~120	50	0.20	15	2100	67	1,896	0,12	30	34	540
AA12038S11ML(T)	Sleeve	100~120	60	0.18	14	2400	75	2,123	0,20	50	38	540
AA12038S22ML(T)	Sleeve	200~240	50	0.10	15	2100	67	1,896	0,12	30	34	540
AA12038S22ML(T)	Sleeve	200~240	60	0.09	14	2400	75	2,123	0,20	50	38	540
AA12038S11HL(T)	Sleeve	100~120	50	0.24	23	2600	82	2,321	0,27	67	40	540
AA12038S11HL(T)	Sleeve	100~120	60	0.21	20	3000	96	2,717	0,33	82	43	540
AA12038S22HL(T)	Sleeve	200~240	50	0.14	23	2600	82	2,321	0,27	67	40	540
AA12038S22HL(T)	Sleeve	200~240	60	0.11	20	3000	96	2,717	0,33	82	43	540
AA12038B11ML(T)	Dual Ball	100~120	50	0.20	15	2100	67	1,896	0,12	30	34	540
AA12038B11ML(T)	Dual Ball	100~120	60	0.18	14	2400	75	2,123	0,20	50	38	540
AA12038B22ML(T)	Dual Ball	200~240	50	0.10	15	2100	67	1,896	0,12	30	34	540
AA12038B22ML(T)	Dual Ball	200~240	60	0.09	14	2400	75	2,123	0,20	50	38	540
AA12038B11HL(T)	Dual Ball	100~120	50	0.24	23	2600	82	2,321	0,27	67	40	540
AA12038B11HL(T)	Dual Ball	100~120	60	0.21	20	3000	96	2,717	0,33	82	43	540
AA12038B22HL(T)	Dual Ball	200~240	50	0.14	23	2600	82	2,321	0,27	67	40	540
AA12038B22HL(T)	Dual Ball	200~240	60	0.11	20	3000	96	2,717	0,33	82	43	540