

60x60x25mm  
AC100~240V Full range AC voltage input

**NEW**

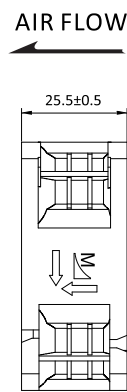
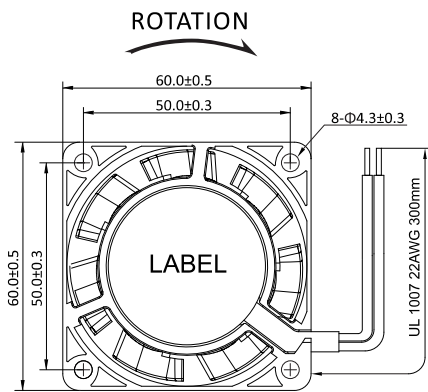


AF06025 AC/DC Fan

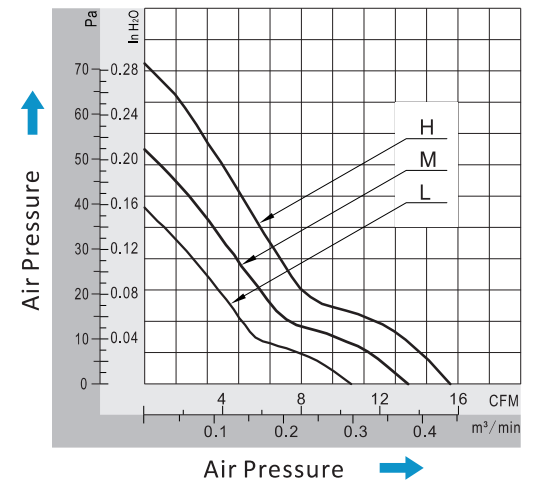
**General Specifications**

- ◆ Frame Size..... 60×60×25mm
- ◆ Material..... Frame: Plastic (UL94V-0), Impeller: Plastic (UL94V-0)  
Lead Wire: UL1007 22# black Terminal: 2.5mm
- ◆ Motor..... AF-AC Frequency-Switching Fan Motor
- ◆ Input Voltage..... 100V~ 240V(50/60Hz) ( AC & DC)
- ◆ Dielectric Strength.... 50/60Hz, 1500VAC 1Min. (between input terminal and frame)
- ◆ Expected Life..... Ball Bearing 50000hrs(40°C)
- ◆ Temperature Range... Operating temperature -10°C~+70°C (Non-condensing)  
Storage temperature -40°C~+70°C (Non-condensing)
- ◆ Sensor-Lead Wire..... FG Yellow, RD White, ⊕ Brown with UL1007 22#

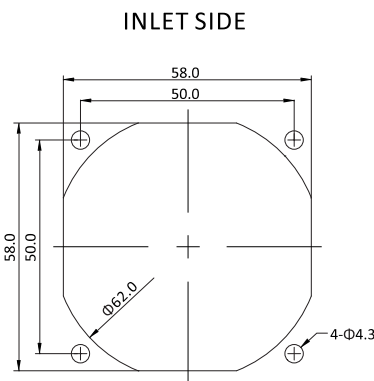
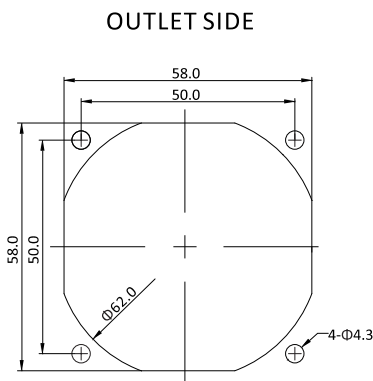
**Dimensions (Unit: mm)**



**PQ Curve (At Rated Voltage)**



**Mounting Panel Cutout (Unit: mm)**



**Safety Standards**



**Fans Specials**



**Specifications**

Model	Bearing Type	Rated Voltage	Frequenz	Rated Current	Input Power	Speed	Max Air Flow	Max Static Pressure	Noise	Weight
Part No.	DB/S	VAC & VDC	Hz	Amp	Watt	RPM	CFM m³/min	Inch-H2O PA	dB-A	g
AF06025B**HL(T)	Dual Ball	100~240	-	0.06	2,30	4500	15,8 0,446	0,28 70	33	72
AF06025B**ML(T)	Dual Ball	100~240	-	0.05	1,70	4000	13,6 0,384	0,21 52	27	72
AF06025B**LL(T)	Dual Ball	100~240	-	0.04	1,40	3500	11,3 0,320	0,16 40	24	72