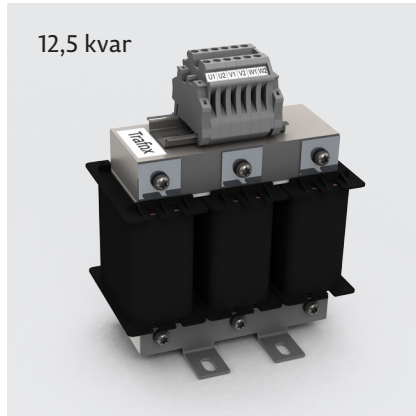


Detuned Reactors

525V SERIES, TYPE 3INPP7



REACTOR SERIES FOR HARMONIC FILTERING

- High quality materials
- Design optimised to reduce total losses
- Small mechanical size
- Low noise level due to the glued air caps

Technical specifications

| | |
|-----------------------|--|
| Standards | IEC60289, IEC60076, VDE 0532, UL/Ur file E202612, RoHs, CE |
| Design | Ironcore multiple aircap, low loss grain oriented steel |
| Tolerance, Inductance | -3/+3% |
| Linearity/% | 1,75 x I _n 95% inductance |
| Insulation level | 4 kVac |
| Temperature class | F 155 °C 6,25-12,5 kvar / H 180 °C 25-75 kvar |
| Cooling | Natural cooling |

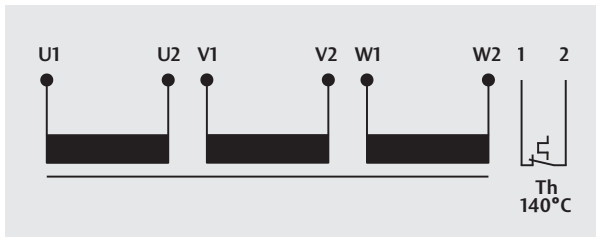
| | |
|---------------------|--|
| Ambient temperature | - 20 ... +60 °C T60 |
| Protection class | IP00 |
| Installation | Screw fastening |
| Color | Light brown or black |
| Noise level | Max. 50 dB with rated harmonics currents at 1 m distance |

| | |
|----------|---|
| Optional | <ul style="list-style-type: none"> • Temperature switch 130-150 °C +-5%, 250 Vac (<6,3A)..500 Vac (<2A) • Stranded wire outputs (flexible cable 110 °C) • Lateral mounting |
|----------|---|

Filtering factor f_{res} 189Hz P7

| Used for rated capacitors Q/kvar | Net | | L/mH | I ₅₀ /A | I ₁₅₀ /A | I ₂₅₀ /A | I ₃₅₀ /A | I _{rms} /A | Linearity / % | Loss / W | Cu / Al Weight (kg) |
|----------------------------------|-----|------|-------|--------------------|---------------------|---------------------|---------------------|---------------------|---------------|----------|---------------------|
| | U/V | f/Hz | | | | | | | | | |
| 6,25 | 525 | 50 | 20,60 | 10,70 | 0,36 | 3,64 | 1,31 | 8,04 | 175 | 51,5 | Cu 1,75 |
| 12,5 | 525 | 50 | 5,28 | 21,40 | 0,73 | 7,27 | 2,62 | 16,08 | 175 | 85 | Cu 2,77 |
| 25 | 525 | 50 | 2,64 | 42,90 | 1,47 | 14,50 | 5,23 | 32,16 | 175 | 122 | Al 2,82 |
| 50 | 525 | 50 | 1,32 | 85,90 | 2,94 | 29,10 | 10,46 | 64,31 | 175 | 188 | Al 4,46 |
| 75 | 525 | 50 | 0,88 | 129,00 | 4,41 | 43,60 | 15,70 | 96,47 | 175 | 229 | Al 7,60 |
| 100 | 525 | 50 | 0,66 | 172,00 | 5,90 | 21,00 | 20,90 | 128,60 | 175 | 305 | Al 6,25 |

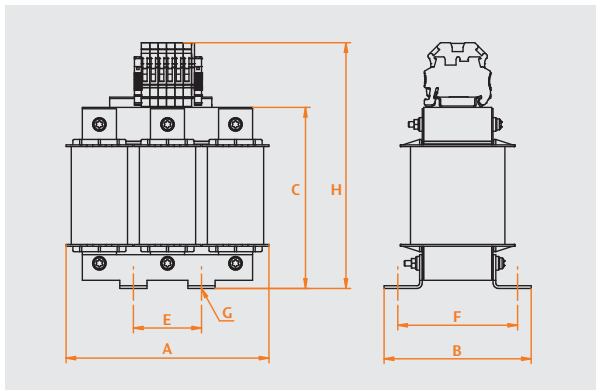
Connection diagram



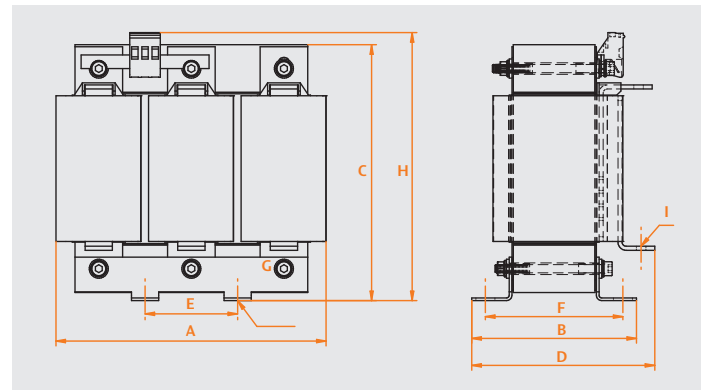
Terminals

| Type | Terminals | Clamp size | Tightening torque / Nm |
|-----------|-----------------|------------|------------------------|
| 6,25-12,5 | Screw terminals | 6 | 2,5 |
| 25 | Busbar | M6 flat | 10 |
| 50 | Busbar | M8 flat | 10 |
| 75-100 | Busbar | M10 flat | 10 |

Mechanical data 6,25 - 12,5 kvar



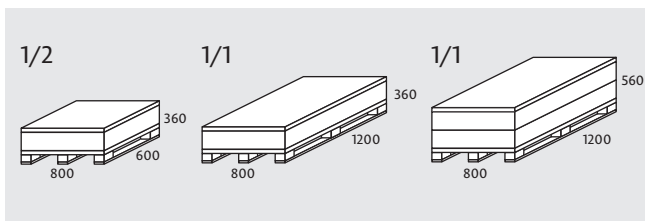
Mechanical data 25-100 kvar



| Without temperature switch | With temperature switch | A (mm) | B (mm) | C (mm) | D (mm) | E (mm) | F (mm) | G (mm) | H (mm) | I (ø mm) | kg |
|----------------------------|-------------------------|--------|--------|--------|--------|--------|--------|----------|--------|----------|-------|
| Order code 189Hz | | | | | | | | | | | |
| 3INPP7.6,25(525) | 3INPP7T.6,25(525) | 125 | 97 | 133 | - | 50 | 77 | ø 7 | 184 | - | 5,54 |
| 3INPP7.12,5(525) | 3INPP7T.12,5(525) | 150 | 101 | 160 | - | 60 | 81 | ø 7 | 210 | - | 7,80 |
| 3INPP7.25(525) | 3INPP7T.25(525) | 200 | 147 | 188 | 142 | 68 | 101 | 7,5 x 14 | 197 | ? | 15,80 |
| 3INPP7.50(525) | 3INPP7T.50(525) | 256 | 140 | 232 | 154 | 88 | 120 | 7,5 x 14 | 237 | ? | 27,00 |
| 3INPP7.75(525) | 3INPP7T.75(525) | 256 | 146 | 290 | 168 | 88 | 134 | 7,5 x 14 | 295 | ? | 37,60 |
| 3INPP7.100(525) | 3INPP7T.100(525) | 340 | 170 | 322 | 200 | 150 | 134 | 7,5 x 14 | - | ? | 56,00 |

Tolerance norm: EN 22768-1 C

Packing details



| Type (189Hz) | pcs / 1/2 pallet | pcs / 1/1 pallet | Height |
|--------------|------------------|------------------|--------|
| 6,25 | 30 | 55 | 360 |
| 12,5 | 20 | 40 | 360 |
| 25 | - | 18 | 360 |
| 50 | - | 14 | 560 |
| 75-100 | - | 10 | 560 |

Muuntosähkö

Trafox is a brand of Muuntosähkö Oy. We develop, manufacture and customise high-quality transformers, chokes, filters and Trafox Superintend® monitoring devices for a large number of applications.

MUUNTOSÄHKÖ OY TRAFIX

P.O. Box 10 | FI-00621 Helsinki | Tel. +358 207 933 700 | Fax +358 207 933 746 | sales@trafox.fi



www.trafox.fi