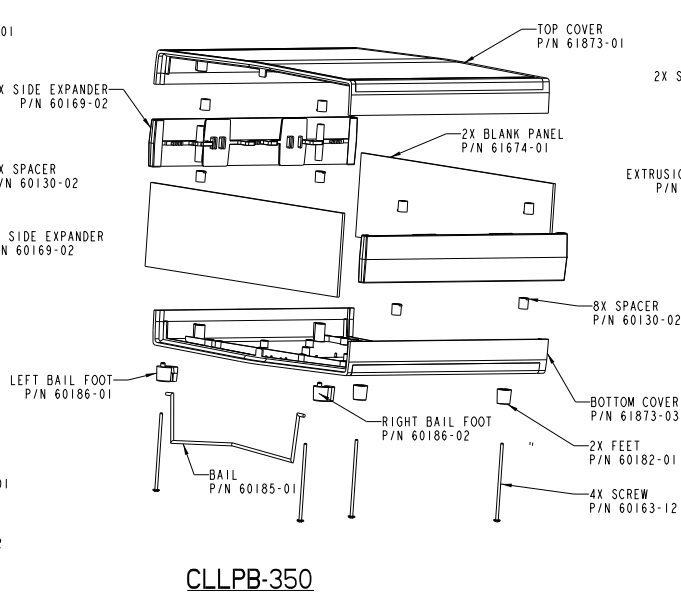
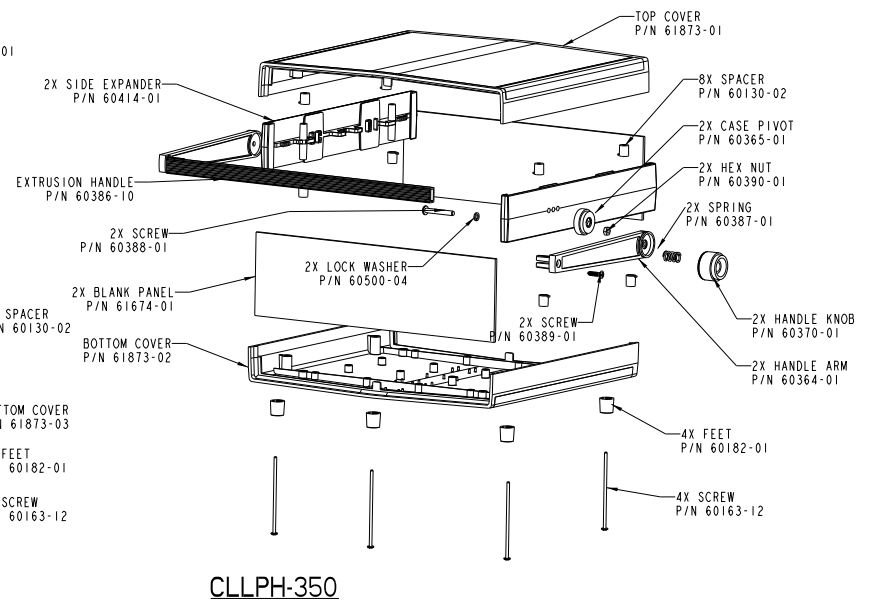


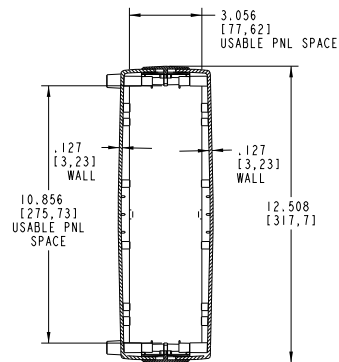
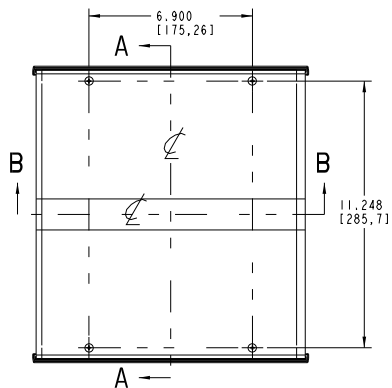
CLLP-350



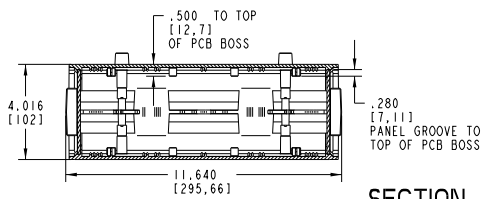
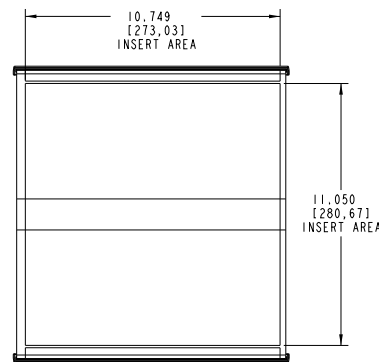
CLLPB-350



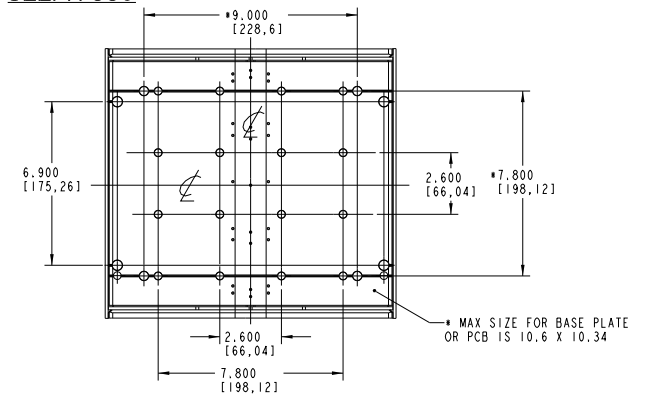
CLLPH-350



SECTION A-A



SECTION B-B



PACINTEC®
 1-610-361-4200
CLLP-350, CLLPB-350
CLLPH-350

VISIT **PACINTEC®**
 ON THE WORLD WIDE WEB
www.pactecenclosures.com

COLOR / MATERIAL CODE		
COLOR	94HB	94VO
BLACK	000	028
P.C.BONE	039	060

DRAWING NUMBER	REV
79499	A