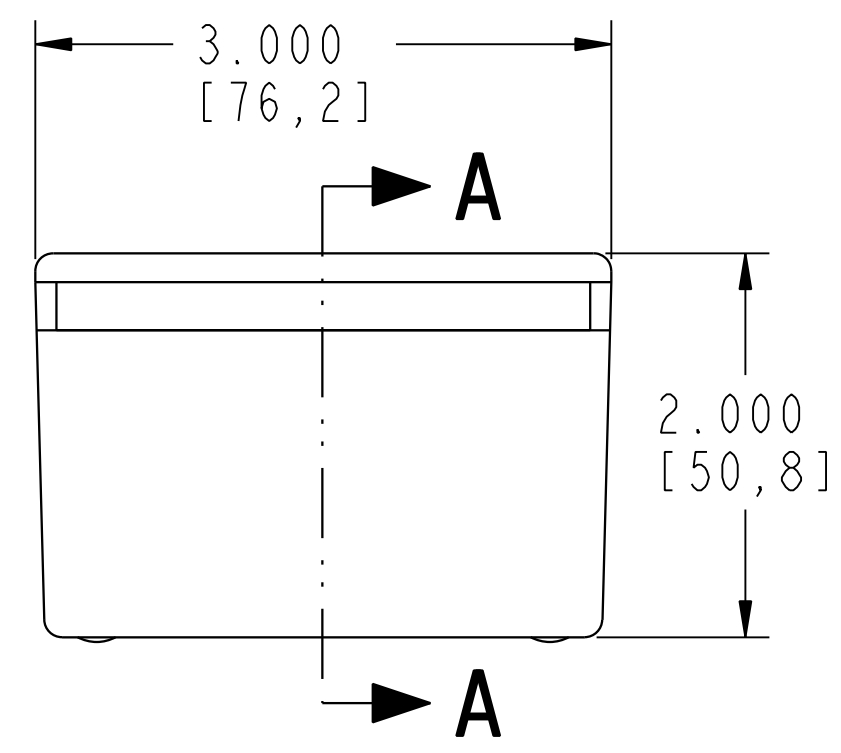
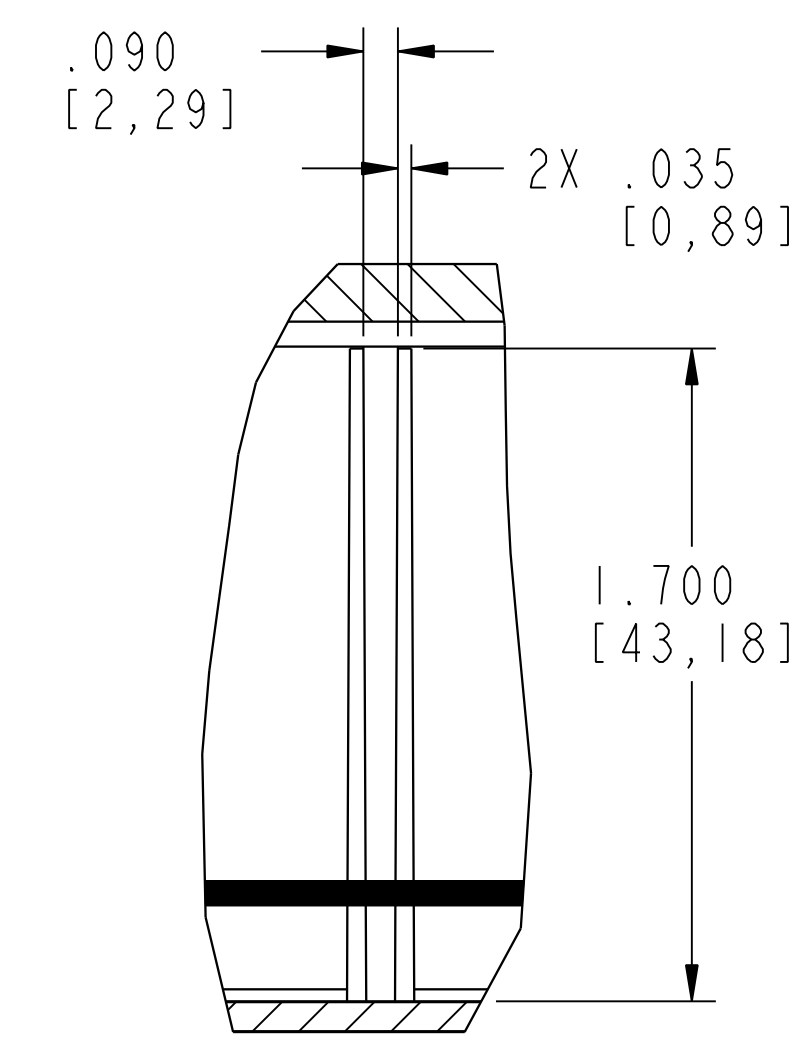


SECTION A-A

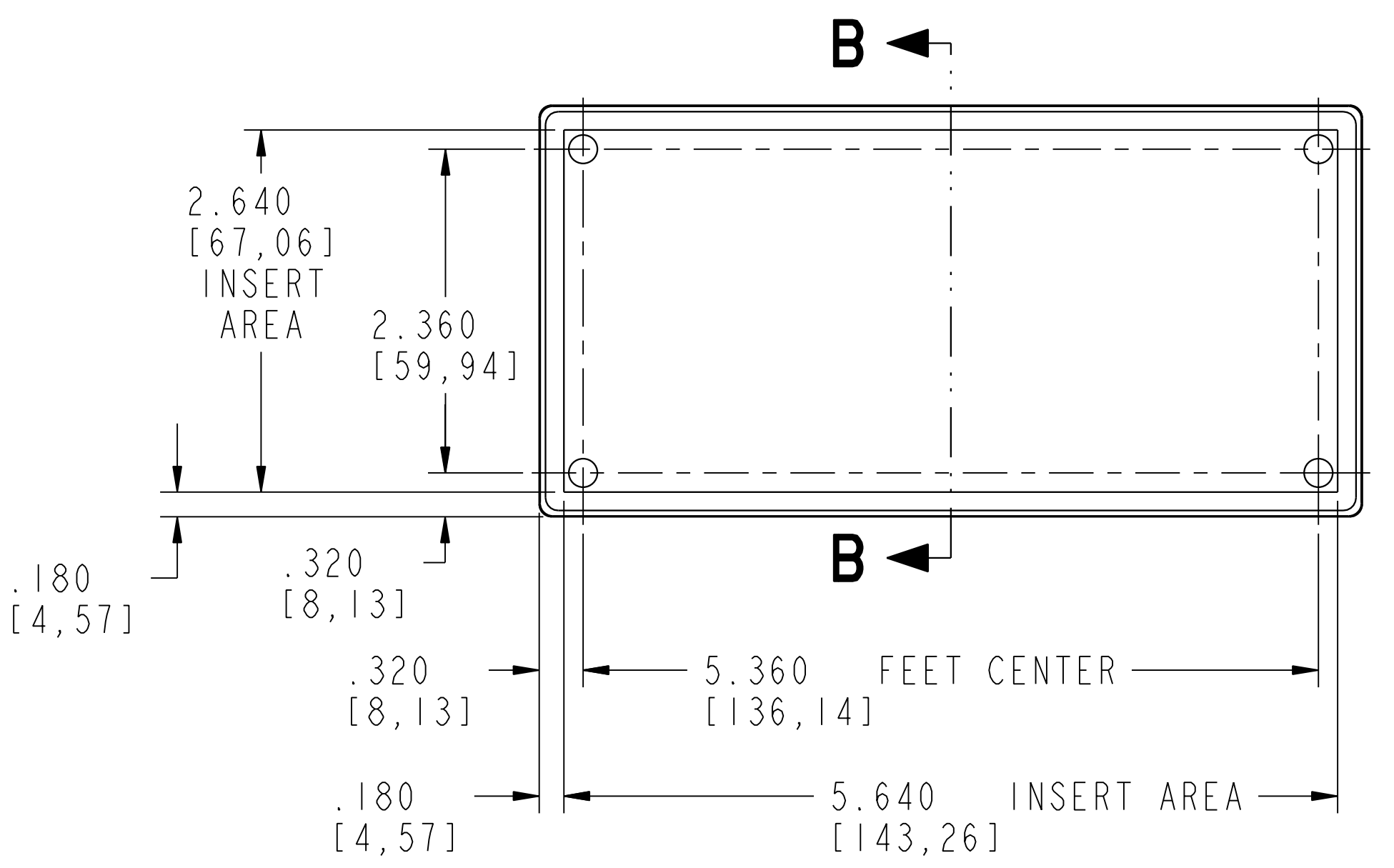
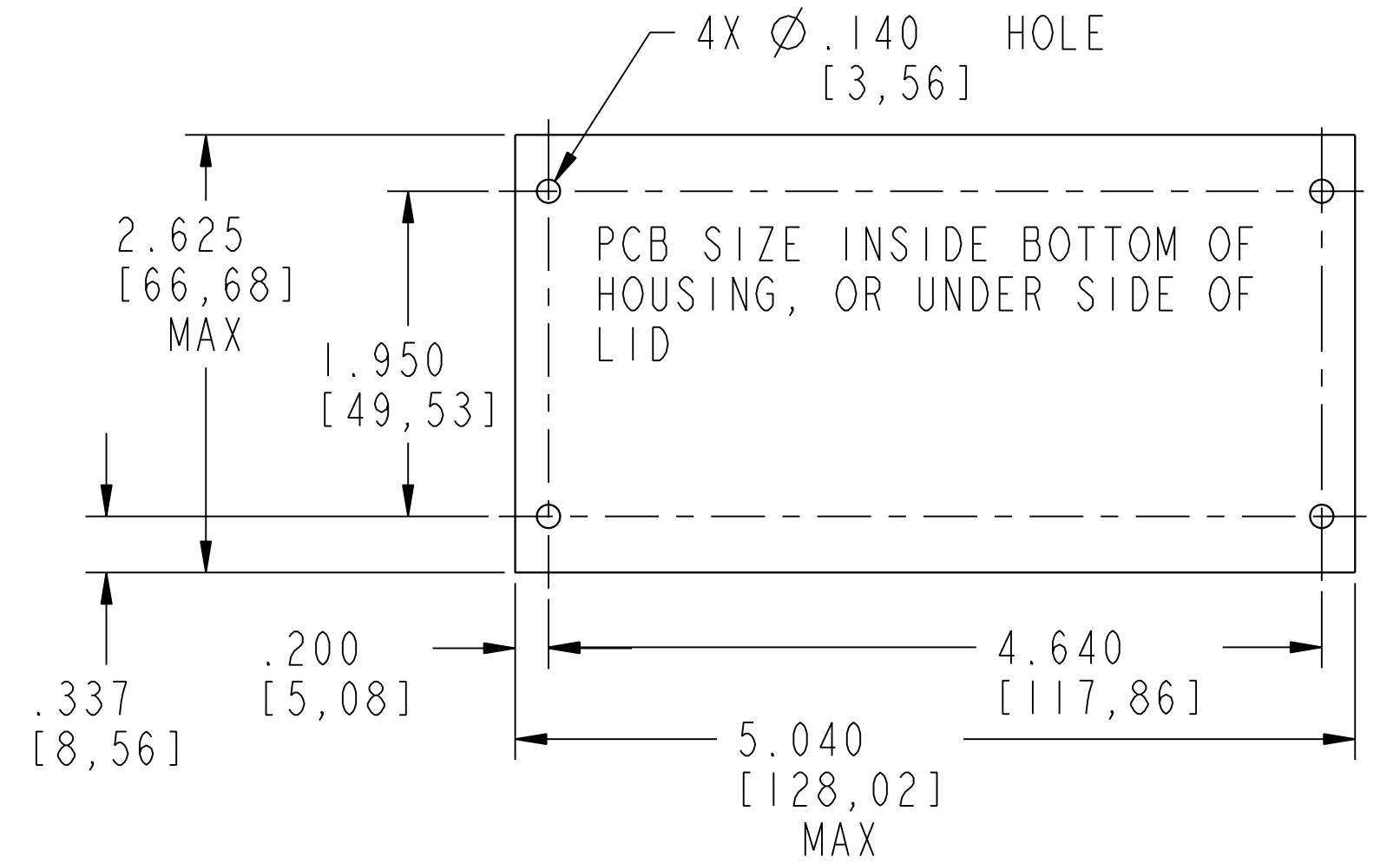


SECTION B-B



DETAIL C

SCALE 2.000
TYP PCB SUPPORT
RIB DESIGN



PACNTEC®
1-610-361-4286

FLX6030

VISIT **PACNTEC®**
ON THE WORLD WIDE WEB
www.pactecenclosures.com

DRAWING NUMBER	REV
77148	D

INSERT AREAS ARE SECTIONS IN OUR TOOLS THAT CAN BE REMOVED AND REPLACED WITH CUSTOMER SPECIFIC DETAILS