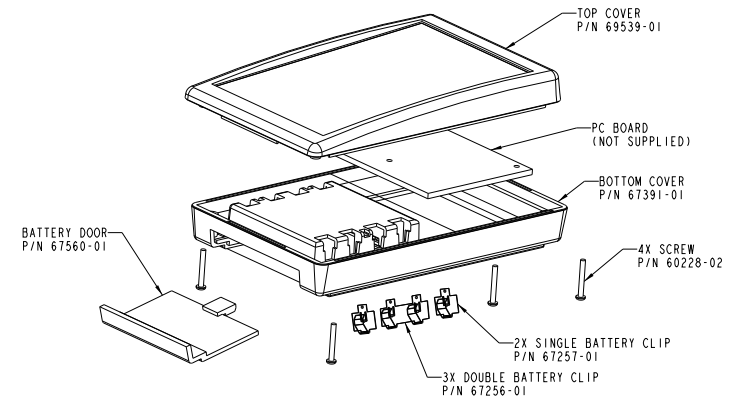
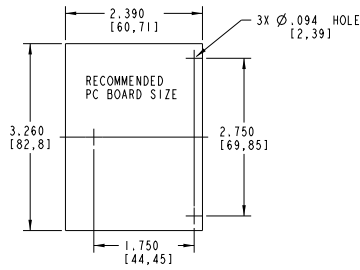
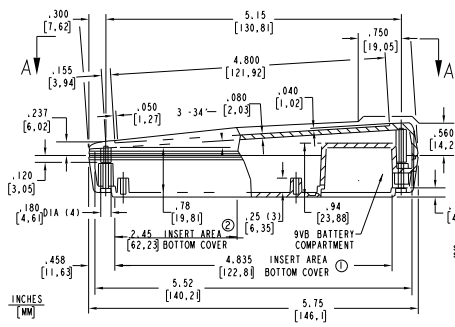
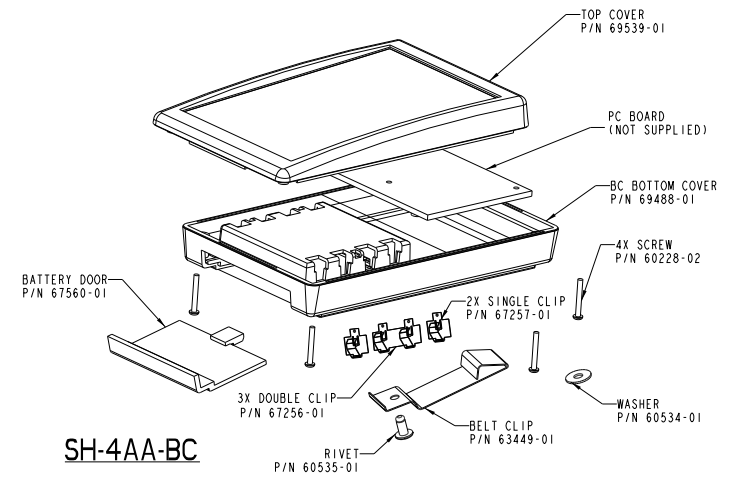


NOTE - DATUM FOR CUSTOM OR MACHINING MODIFICATIONS USE THE INSERT EDGES OR BOSS CENTER

① EXTERIOR INSERT AREA, FOR IN MOLD MODIFICATION
② INTERIOR INSERT AREA, FOR IN MOLD MODIFICATION



SH-4AA



SH-4AA-BC

PACINTEC®
1-610-361-4200

SH-4AA & SH-4AA-BC

VISIT **PACINTEC®**
ON THE WORLD WIDE WEB
www.pactecenclosures.com

COLOR / MATERIAL CODE		
COLOR	94HB	94VO
BLACK	000	028
P.C. BONE	039	060

DRAWING NUMBER	REV
69639	B