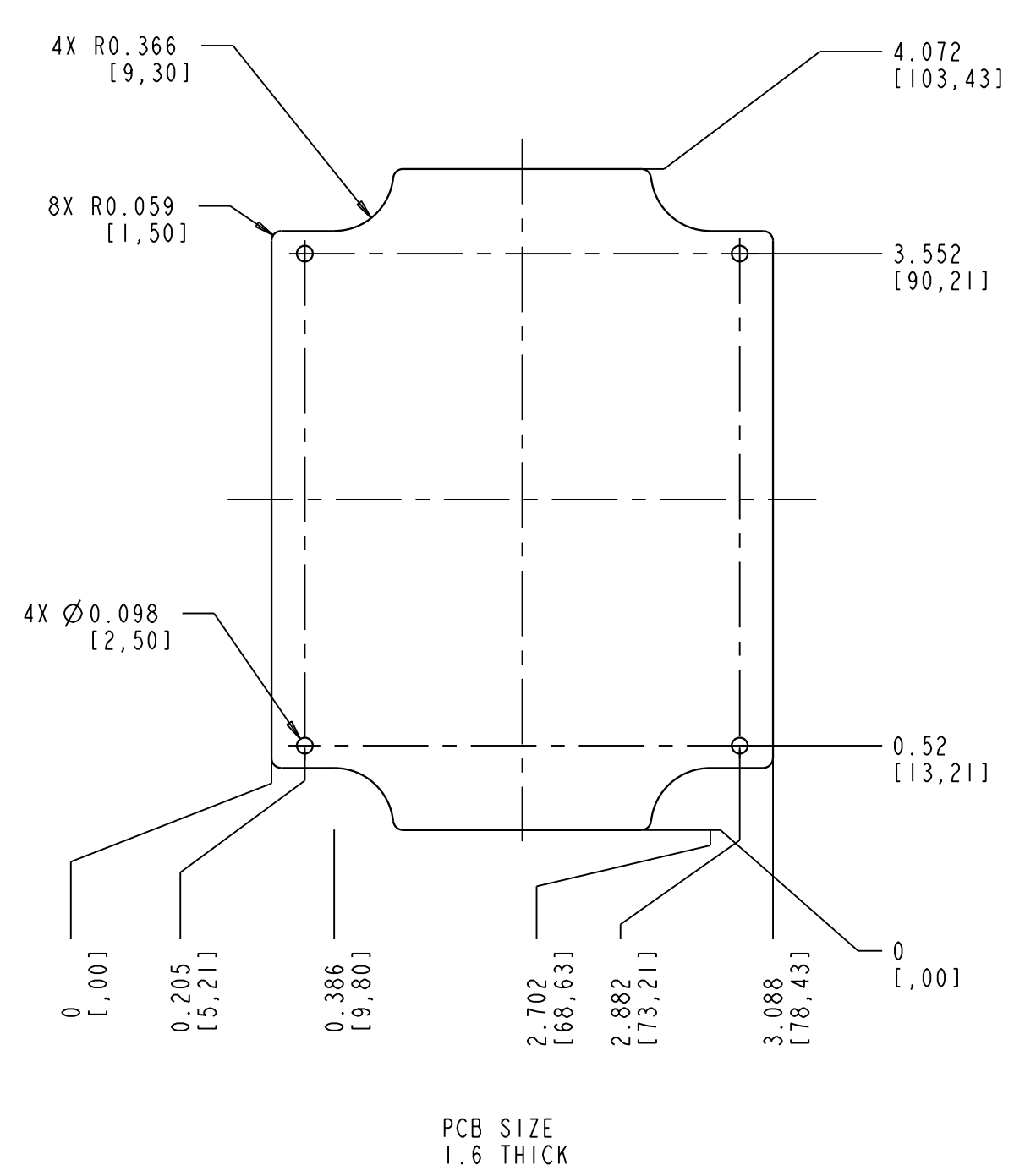
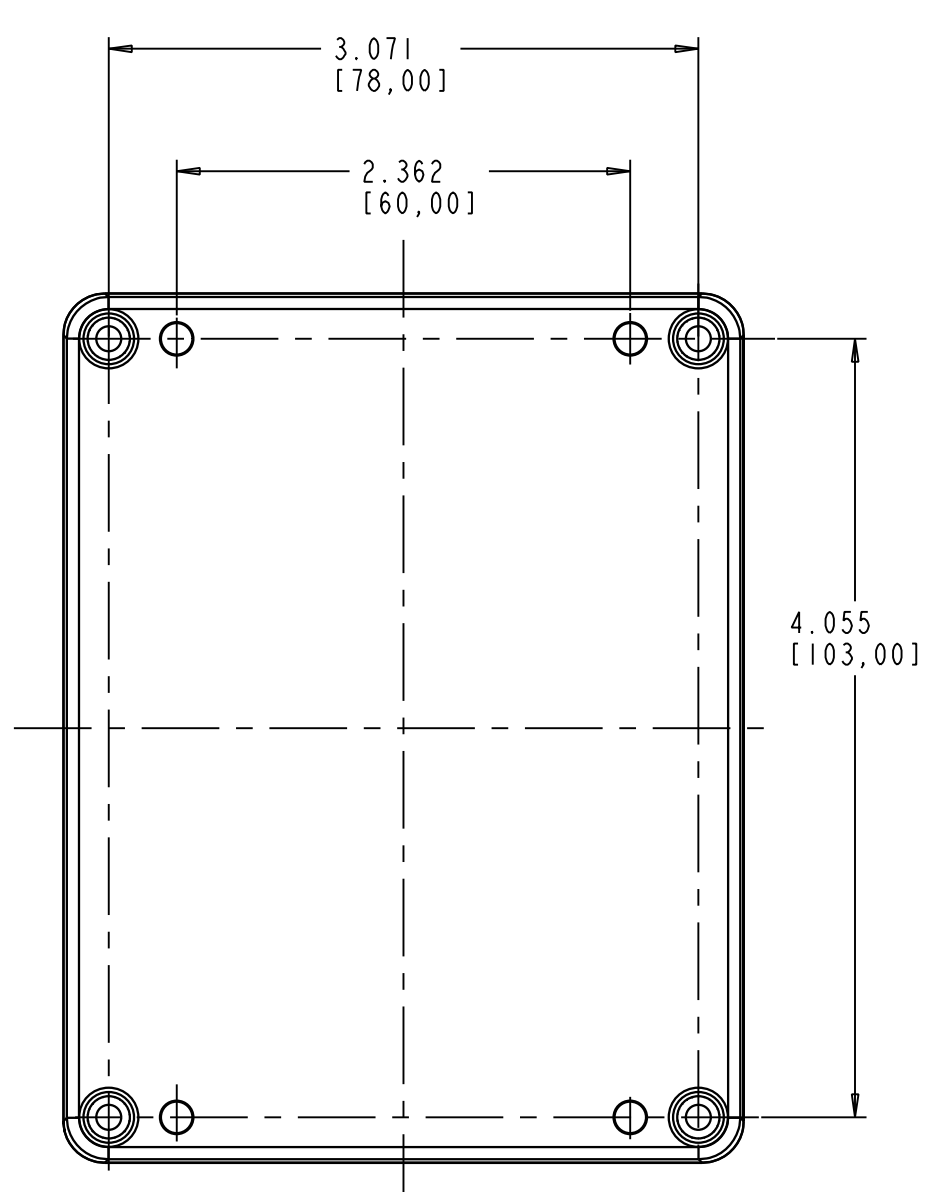


| COLOR | CODE # | PMS #        | RAL # |
|-------|--------|--------------|-------|
| ABS   | 1129   | WARM GRAY #2 | 1013  |

NOTES:

1. USE 3M X 6 (OR #4 X .250") SELF THREADING SCREWS TO MOUNT THE PCB TO HOUSING
2. RECOMMENDED HOUSING ASSEMBLY SCREW TORQUE SETTING TO OBTAIN IP65 RATING IS 5 IN-LBS
3. TO MAINTAIN IP65 RATING THE GASKET CAN ONLY BE USED ONCE; MUST BE REPLACED IF HOUSING IS OPENED.



**PACNTEC®**  
1-610-361-4231

**SOD 4535-2.0**

VISIT **PACNTEC®**  
ON THE WORLD WIDE WEB  
[www.pactecenclosures.com](http://www.pactecenclosures.com)

|                |     |
|----------------|-----|
| DRAWING NUMBER | REV |
| 89228          | 01  |