

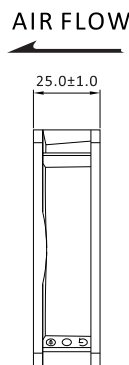
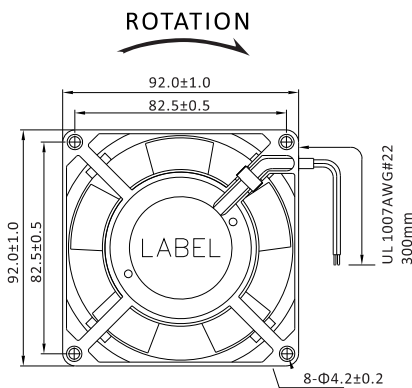
92x92x25mm
AC 100-120V & 200-240V



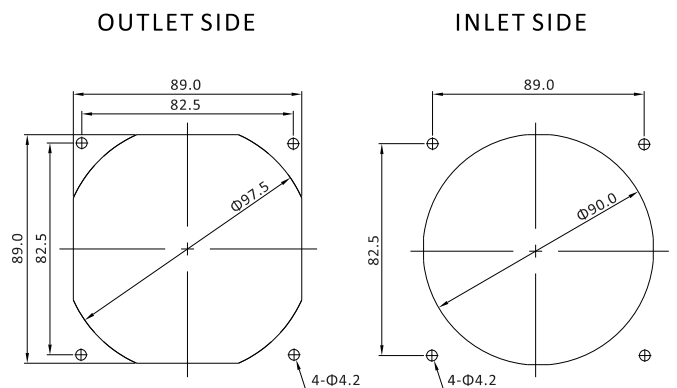
General Specifications

- ◆ Material..... Frame: Aluminum Alloy, Impeller: Plastic (UL94V-0)
Lead Wire: UL1007 22# black Terminal: 2.5mm
- ◆ Motor..... Shaded Pole & Internal Rotor Motor
- ◆ Input Voltage..... 110V/220V (optional)
- ◆ Dielectric Strength..... 50/60Hz, 1500VAC 1Min (between input terminal and frame)
- ◆ Expected Life..... Ball Bearing 50000hrs, Sleeve Bearing 30000hrs (40°C)
- ◆ Temperature Range..... Operating temperature -10°C~+70°C (Non-condensing)
Storage temperature -40°C~+70°C (Non-condensing)

Dimensions (Unit: mm)

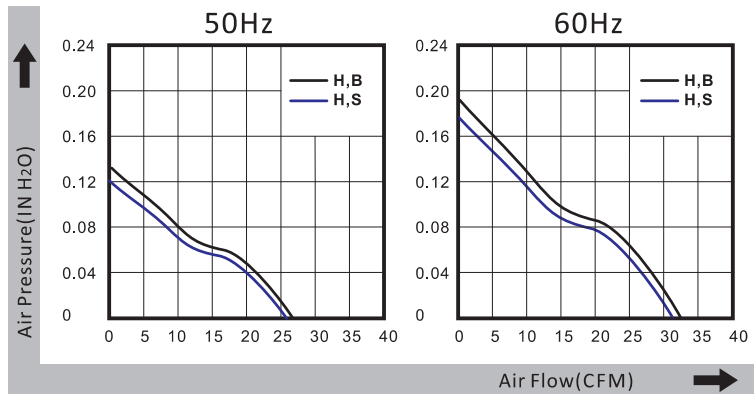


Mounting Panel Cutout (Unit: mm)



AA09225 AC Fan

PQ Curve (At Rated Voltage)



Safety Standards



Specifications

Model	Bearing Type	Rated Voltage	Frequenz	Rated Current	Input Power	Speed	Max Air Flow	Max Static Pressure	Noise	Weight		
Part No. B/S	B/S	VAC	Hz	Amp	Watt	RPM	CFM	m ³ /min	Inch-H2O	PA	dB-A	g
AA09225S11HL(T)	S	100~120	50	0.14	18	2200	26	0,736	0,12	30	36	270
AA09225S11HL(T)	S	100~120	60	0.12	16	2600	31	0,877	0,18	45	40	270
AA09225S22HL(T)	S	200~240	50	0.08	18	2200	26	0,736	0,12	30	36	270
AA09225S22HL(T)	S	200~240	60	0.07	16	2600	31	0,877	0,18	45	40	270
AA09225B11HL(T)	DB	100~120	50	0.14	18	2250	27	0,764	0,13	32	37	270
AA09225B11HL(T)	DB	100~120	60	0.12	16	2650	32	0,906	0,19	47	41	270
AA09225B22HL(T)	DB	200~240	50	0.08	18	2250	27	0,764	0,13	32	37	270
AA09225B22HL(T)	DB	200~240	60	0.07	16	2650	32	0,906	0,19	47	41	270