

Φ220x60mm
AC 100-120V & 200-240V

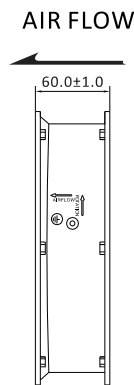
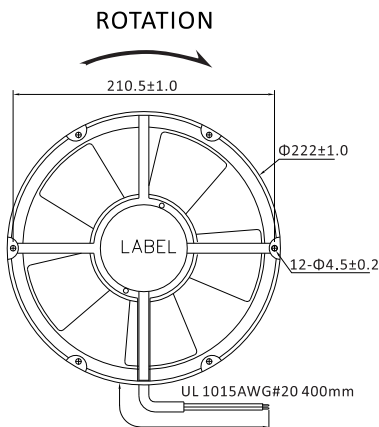
General Specifications

- Material..... Frame: Aluminum Alloy, Impeller: Plastic (UL94V-0)
Lead Wire: UL1015 20# black Terminal: 2.5mm
- Motor..... Shaded Pole & Internal Rotor Motor
- Input Voltage..... 110V/220V (optional)
- Dielectric Strength..... 50/60Hz, 1500VAC 1Min (between input terminal and frame)
- Expected Life..... Ball Bearing 50000hrs (40°C)
- Temperature Range..... Operating temperature -10°C~+70°C (Non-condensing)
Storage temperature -40°C~+70°C (Non-condensing)

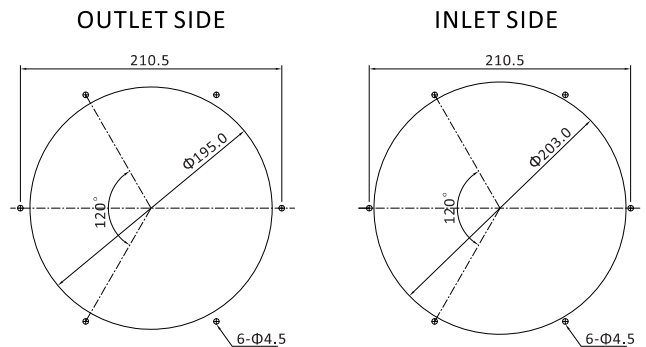


AA22060 AC Fan

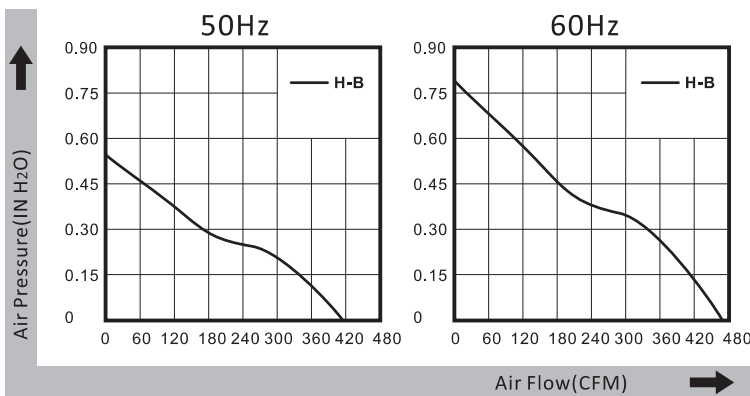
Dimensions (Unit: mm)



Mounting Panel Cutout (Unit: mm)



PQ Curve (At Rated Voltage)



Safety Standards



Specifications

Model	Bearing Type	Rated Voltage	Frequenz	Rated Current	Input Power	Speed	Max Air Flow	Max Static Pressure	Noise	Weight		
Part No.	DB/S	VAC	Hz	Amp	Watt	RPM	CFM	m ³ /min	Inch-H2O	PA	dB-A	g
AA22060B11HL(T)	DB	100~120	50	0.76	77	2300	335	9,481	0,67	167	63	1600
AA22060B11HL(T)	DB	100~120	60	0.65	55	2500	350	9,905	0,75	187	68	1600
AA22060B22HL(T)	DB	200~240	50	0.38	77	2300	335	9,481	0,67	167	63	1600
AA22060B22HL(T)	DB	200~240	60	0.32	55	2500	350	9,905	0,75	187	68	1600