

Φ254x89mm
AC 100-120V & 200-240V

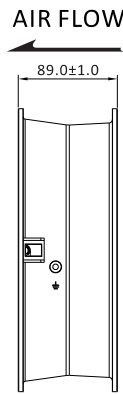
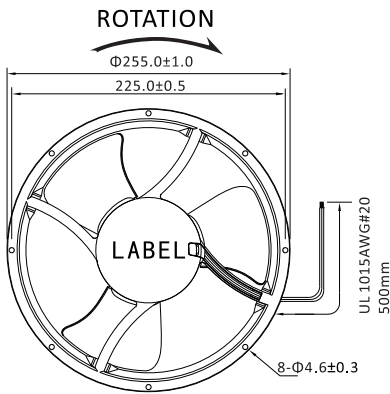


AA25489 AC Fan

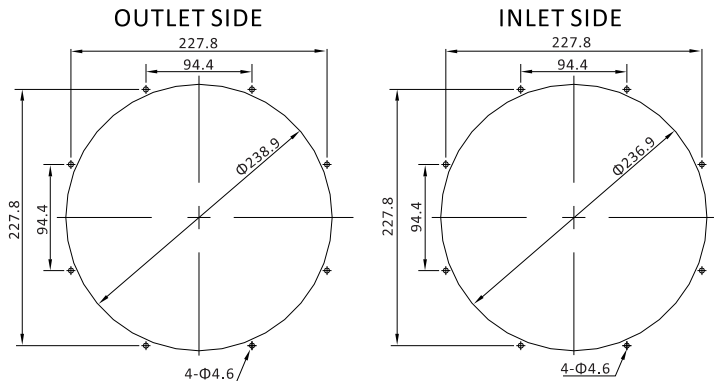
General Specifications

- ◆ Material..... Frame: Aluminum Alloy, Impeller: Plastic (UL94V-0)
Lead Wire: UL1015 20# black Terminal: 2.5mm
- ◆ Motor..... Capacitor-run & Internal Rotor Motor
- ◆ Input Voltage..... 110V/220V (optional)
- ◆ Dielectric Strength..... 50/60Hz, 1500VAC 1Min (between input terminal and frame)
- ◆ Expected Life..... Ball Bearing 50000hrs (40°C)
- ◆ Temperature Range..... Operating temperature -10°C~+70°C (Non-condensing)
Storage temperature -40°C~+70°C (Non-condensing)

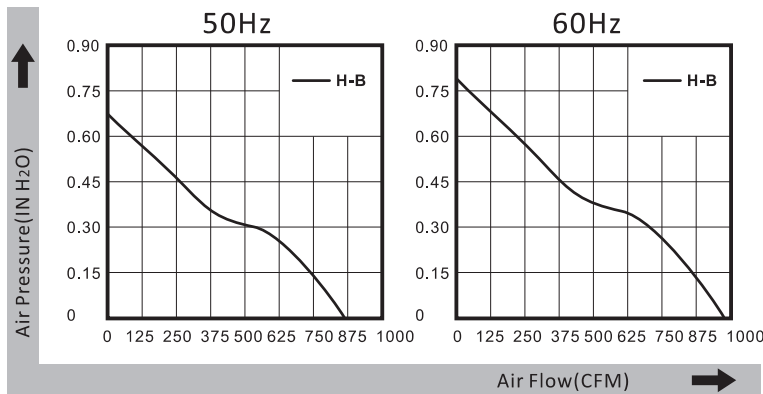
Dimensions (Unit: mm)



Mounting Panel Cutout (Unit: mm)



PQ Curve (At Rated Voltage)



Safety Standards



Specifications

| Model | Bearing Type | Rated Voltage | Frequenz | Rated Current | Input Power | Speed | Max Air Flow | | Max Static Pressure | | Noise | Weight |
|-----------------|--------------|---------------|----------|---------------|-------------|-------|--------------|---------------------|---------------------|-----|-------|--------|
| Part No. | DB/S | VAC | Hz | Amp | Watt | RPM | CFM | m ³ /min | Inch-H2O | PA | dB-A | g |
| AA25489B11HL(T) | DB | 100~120 | 50 | 0.80 | 87 | 2600 | 858 | 24,281 | 0,67 | 167 | 80 | 1780 |
| AA25489B11HL(T) | DB | 100~120 | 60 | 1.00 | 110 | 2800 | 935 | 26,461 | 0,83 | 207 | 88 | 1780 |
| AA25489B22HL(T) | DB | 200~240 | 50 | 0.40 | 87 | 2600 | 858 | 24,281 | 0,67 | 167 | 80 | 1780 |
| AA25489B22HL(T) | DB | 200~240 | 60 | 0.55 | 110 | 2800 | 935 | 26,461 | 0,83 | 207 | 88 | 1780 |