

172x172x51mm
AC100~240V Full range AC voltage input

NEW

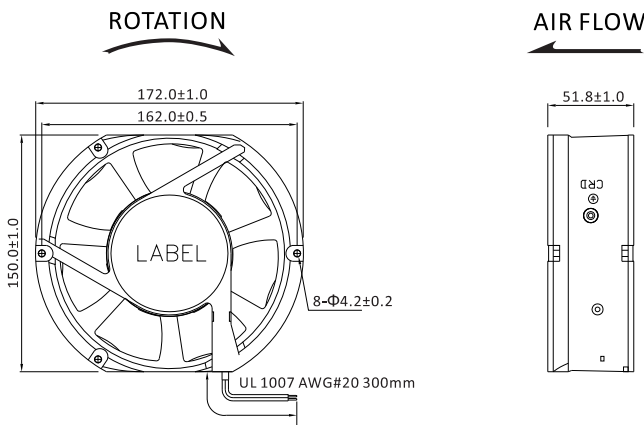


AF17251 AC/DC Fan

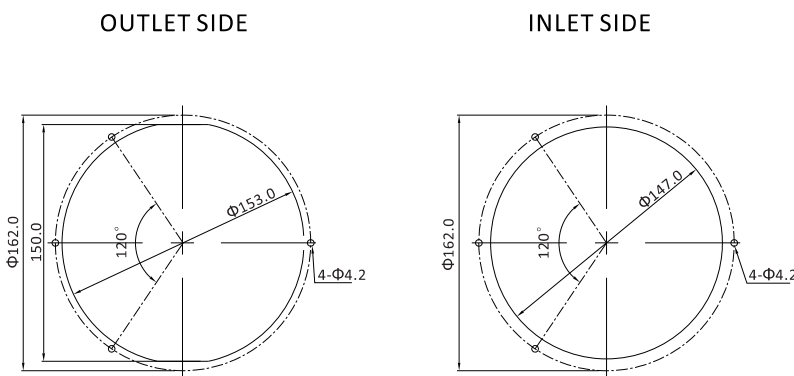
General Specifications

- ◆ Frame Size..... 172×150×51mm
- ◆ Material..... Frame: Aluminum, Impeller: Plastic (UL94V-0)
Lead Wire: UL1007 20# black Terminal: 2.5mm
- ◆ Motor..... AF-AC Frequency-Switching Fan Motor
- ◆ Input Voltage..... 100V~ 240V (50/60Hz) (AC & DC)
- ◆ Dielectric Strength.... 50/60Hz, 1500VAC 1Min (between input terminal and frame)
- ◆ Expected Life..... Ball Bearing 50000hrs (40°C)
- ◆ Temperature Range... Operating temperature -10°C~+70°C (Non-condensing)
Storage temperature -40°C~+70°C (Non-condensing)
- ◆ Sensor-Lead Wire..... FG Yellow, RD White, ⊕ Brown with UL1007 22#

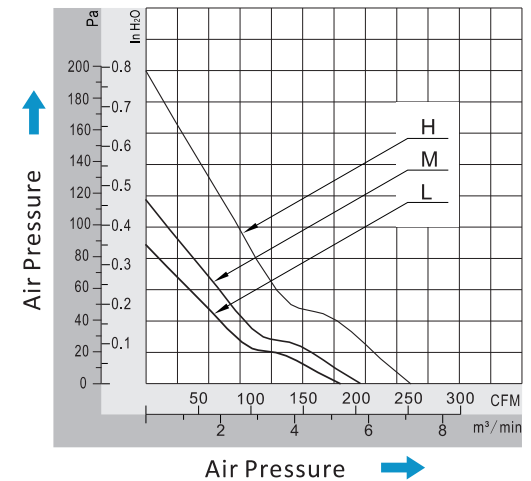
Dimensions (Unit: mm)



Mounting Panel Cutout (Unit: mm)



PQ Curve (At Rated Voltage)



Safety Standards



Fans Specials



Specifications

Model	Bearing Type	Rated Voltage	Frequenz	Rated Current	Input Power	Speed	Max Air Flow	Max Static Pressure	Noise	Weight		
Part No.	DB/S	VAC & VDC	Hz	Amp	Watt	RPM	CFM	m³/min	Inch-H2O	PA	dB-A	g
AF17251B**HL(T)	Dual Ball	100~240	-	0.45	22,00	3200	257	7,284	0,78	194	54	740
AF17251B**ML(T)	Dual Ball	100~240	-	0.40	20,00	2800	205	5,802	0,46	115	49	740
AF17251B**LL(T)	Dual Ball	100~240	-	0.28	14,00	2500	183	5,189	0,34	85	46	740