

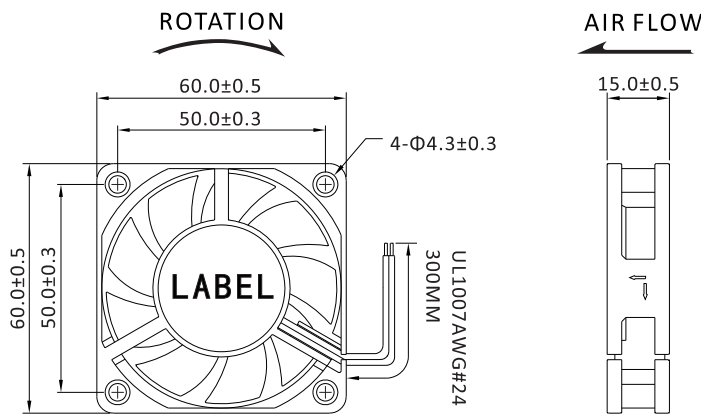
60x60x15mm
DC 5V, 12V, 24V

General Specifications

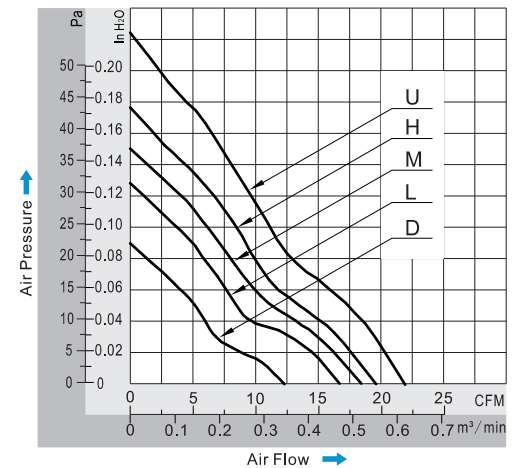
- Material..... Frame: Plastic (UL94V-0)
Impeller: Plastic (UL94V-0)
Lead Wire: UL1007AWG#24 or Equivalent (+)Red, (-)Black
- Expected Life..... Ball Bearing 50.000hrs (40°C)
Sleeve Bearing 30.000hrs (40°C)
- Temperature Range.. Operating temperature -10°C~+70°C (Non-condensing)
Storage temperature -40°C~+70°C (Non-condensing)



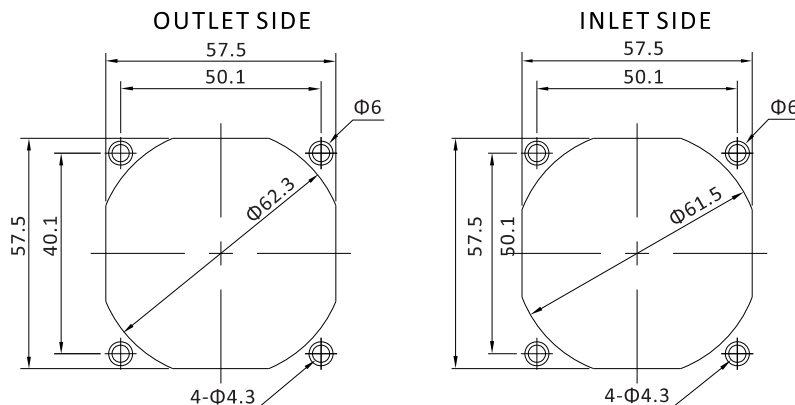
Dimensions (Unit: mm)



PQ Curve (At Rated Voltage)



Mounting Panel Cutout (Unit: mm)



Safety Standards



DC Fans Specials



Specifications

Model	Bearing Type	Rated Voltage	Operating Voltage	Rated Current	Input Power	Speed	Max Air Flow	Max Static Pressure	Noise	Weight		
Part No.	B/S	VDC	VDC	Amp	Watt	RPM	CFM	m³/min	Inch-H2O	PA	dB-A	g
DA06015#05M	B.S	5	3,5~5,5	0,58	2,90	4000	18,55	0,525	0,15	37	29	42
DA06015#05L	B.S	5	3,5~5,5	0,40	2,00	3500	16,84	0,477	0,13	32	26	42
DA06015#05D	B.S	5	3,5~5,5	0,25	1,25	3000	12,96	0,367	0,09	22	24	42
DA06015#12U	B.S	12	7,0~13,8	0,30	3,60	5000	22,77	0,644	0,22	55	37	42
DA06015#12H	B.S	12	7,0~13,8	0,22	2,64	4500	19,94	0,564	0,17	42	33	42
DA06015#12M	B.S	12	7,0~13,8	0,18	2,16	4000	18,55	0,525	0,15	37	29	42
DA06015#12L	B.S	12	7,0~13,8	0,15	1,80	3500	16,84	0,477	0,13	32	26	42
DA06015#12D	B.S	12	7,0~13,8	0,12	1,44	3000	12,96	0,367	0,09	22	24	42
DA06015#24U	B.S	24	14,0~27,6	0,18	4,32	5000	22,77	0,644	0,22	55	37	42
DA06015#24H	B.S	24	14,0~27,6	0,16	3,84	4500	19,94	0,564	0,17	42	33	42
DA06015#24M	B.S	24	14,0~27,6	0,12	2,88	4000	18,55	0,525	0,15	37	29	42
DA06015#24L	B.S	24	14,0~27,6	0,10	2,40	3500	16,84	0,477	0,13	32	26	42