

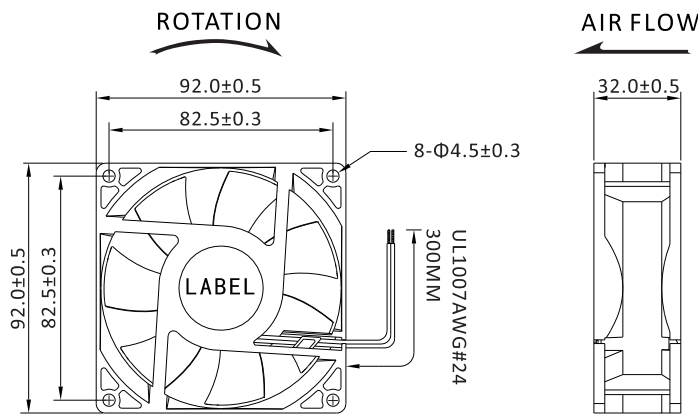
92x92x32mm  
DC 12V, 24V, 48V



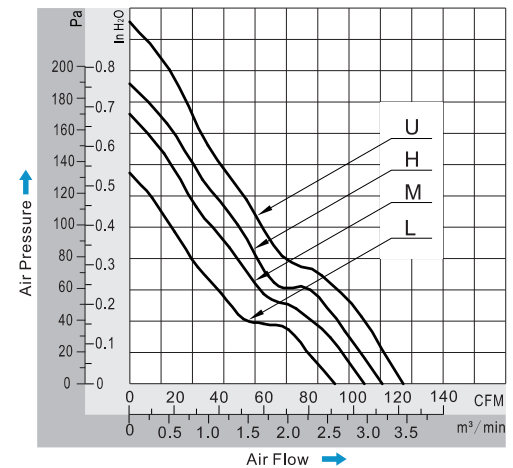
**General Specifications**

- ◆ Material..... Frame: Plastic (UL94V-0)  
Impeller: Plastic (UL94V-0)  
Lead Wire: UL1007AWG#24 or Equivalent (+)Red, (-)Black
- ◆ Expected Life..... Ball Bearing 50.000hrs (40°C)
- ◆ Temperature Range.. Operating temperature -10°C~+70°C (Non-condensing)  
Storage temperature -40°C~+70°C (Non-condensing)

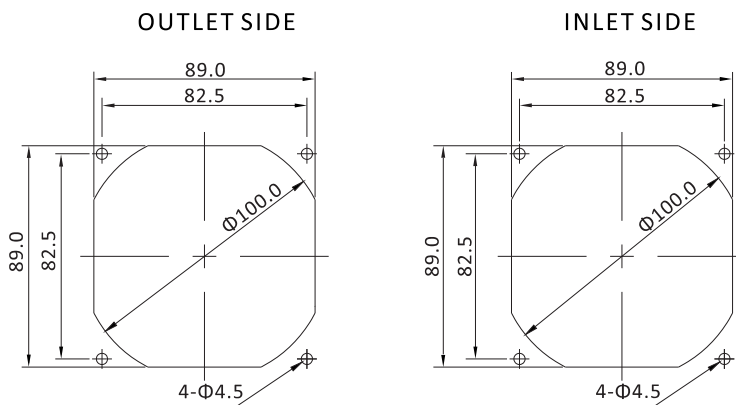
**Dimensions (Unit: mm)**



**PQ Curve (At Rated Voltage)**



**Mounting Panel Cutout (Unit: mm)**



**Safety Standards**



**DC Fans Specials**



**Specifications**

Model	Bearing Type	Rated Voltage	Operating Voltage	Rated Current	Input Power	Speed	Max Air Flow	Max Static Pressure	Noise	Weight		
Part No.	B/S	VDC	VDC	Amp	Watt	RPM	CFM	m³/min	Inch-H2O	PA	dB-A	g
DA09232#12U	B	12	7,0~13,8	2,50	30,00	6000	123,72	3,501	0,93	232	59	150
DA09232#12H	B	12	7,0~13,8	1,80	21,60	5500	113,08	3,200	0,76	189	55	150
DA09232#12M	B	12	7,0~13,8	1,20	14,40	5000	105,67	2,990	0,69	172	52	150
DA09232#12L	B	12	7,0~13,8	0,90	10,80	4500	92,01	2,604	0,53	132	49	150
DA09232#24U	B	24	14,0~27,6	1,50	36,00	6000	123,72	3,501	0,93	232	59	150
DA09232#24H	B	24	14,0~27,6	1,00	24,00	5500	113,08	3,200	0,76	189	55	150
DA09232#24M	B	24	14,0~27,6	0,80	19,20	5000	105,67	2,990	0,69	172	52	150
DA09232#24L	B	24	14,0~27,6	0,60	14,40	4500	92,01	2,604	0,53	132	49	150
DA09232#48U	B	48	28,0~56,0	0,80	38,40	6000	123,72	3,501	0,93	232	59	150
DA09232#48H	B	48	28,0~56,0	0,50	24,00	5500	113,08	3,200	0,76	189	55	150
DA09232#48M	B	48	28,0~56,0	0,40	19,20	5000	105,67	2,990	0,69	172	52	150
DA09232#48L	B	48	28,0~56,0	0,30	14,40	4500	92,01	2,604	0,53	132	49	150